

Yalehandy

Ratchet lever hoist

Capacity 250 - 500 kg

The extreme low own weight and the very compact design make the hoist easy to use even in confined working conditions. Due to the multitude of application possibilities e.g. in industry, trade and service this ratchet lever hoist is indispensable.

Features

- The enclosed design protects the internal parts from contamination.
- The short handle lever is fitted with an ergonomic rubber grip.
- All parts of the disc type load brake are manufactured from high quality materials and are corrosion protected.
- Standard free chaining device to quickly attach the load or to pull the chain through the hoist in both directions.
- Alloyed steel link chain with zinc-plated resp. yellow chromated finish, in accordance with national and international standards and regulations.
- Forged suspension and load hooks are made from non-aging, high tensile steel and fitted with robust safety latches.



INFO

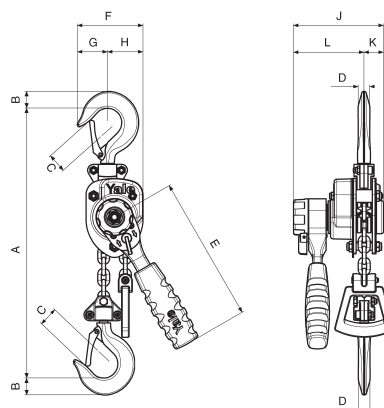
Yale hoists and trolleys are not designed for passenger elevation applications and must not be used for this purpose.

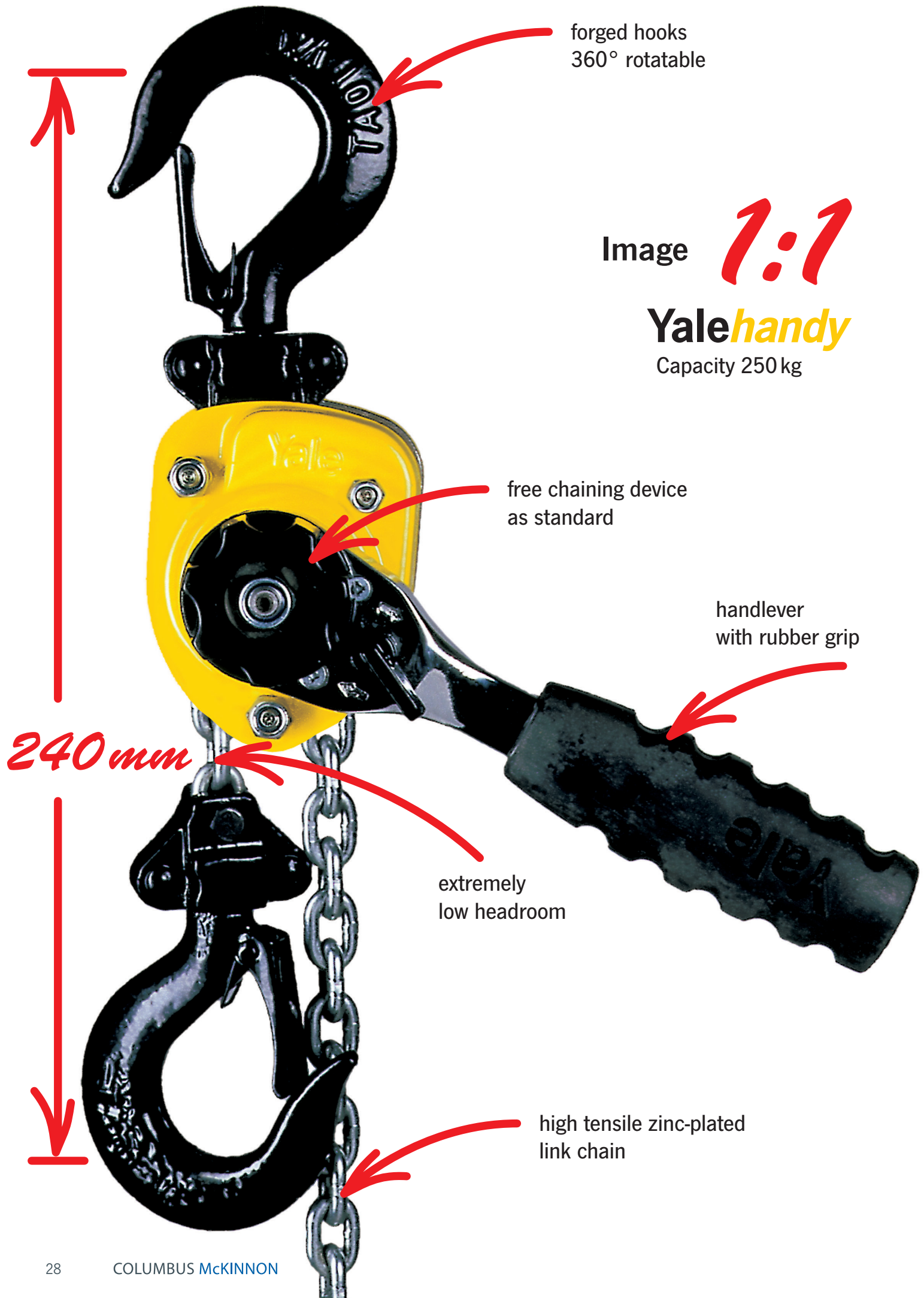
Technical data Yalehandy

Model	Art.-No.	Capacity kg	Number of chain falls	Chain dimensions d x p in mm/ design	Lift with one full lever turn mm	Handle pull at WLL daN	Weight at standard lift (1.5 m) kg
Yalehandy 250	N02300018	250	1	4 x 12 - T	80	25	2.2
Yalehandy 500	N02300070	500	1	4 x 12 - V	40	25	2.8

Dimensions Yalehandy

Model	Yalehandy 250	Yalehandy 500
A min., mm	240	282
B, mm	20	17
C, mm	21	24
D, mm	14	12
E, mm	160	160
F, mm	72	104
G, mm	33	38
H, mm	39	66
J, mm	98	116
K, mm	21	36
L, mm	77	80





forged hooks
360° rotatable

Image **1:1**

Yalehandy
Capacity 250 kg

free chaining device
as standard

handlever
with rubber grip

240 mm

extremely
low headroom

high tensile zinc-plated
link chain